

Spänl

www.spanlsiding.com

Metal Siding

MORE

Lasting Beauty
Light Weight
Fast Installation
Waterproof

JIANGSU SPANL CO., LTD



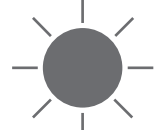






No.18 Floor 14 Hengtian Plaza, Jiangyin City, Jiangsu Province, China.

Tel: +86 (510) 8611-9999 E-mail: sales@spanlsiding.com

Product specifications are subject to change without prior notice. All the test data which tested by Spanl Lab(China) is just for reference. For printing reason it may cause color difference in this brochure. All products will be based on the actual products received. Please contact our sales people for detailed information before you do a purchase.

Spänl

9 ADVANTAGES

 Sound Insulation	 3D Pattern	 Thermal Insulation
 Waterproof	 Light	 Fast Installation
 Eco-friendly	 Durable	 Self-cleaning

JUST FOR GOOD LIVING



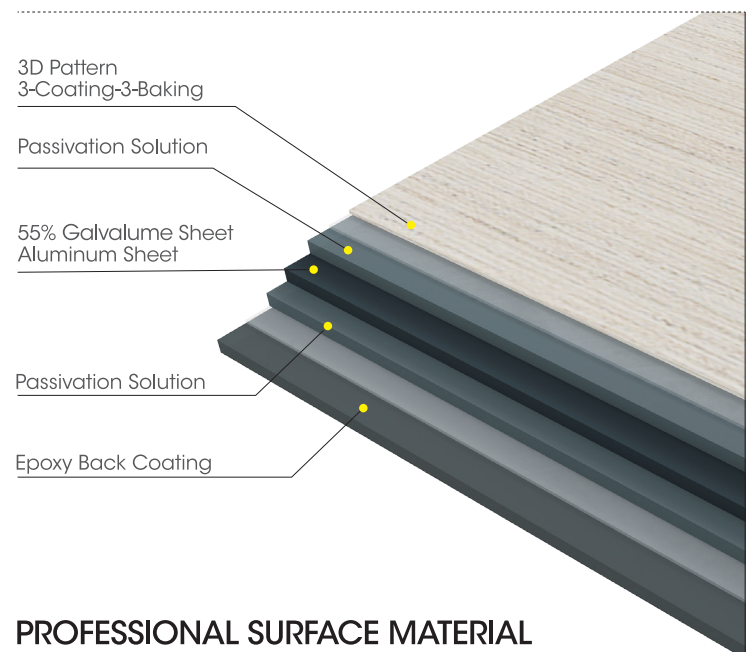
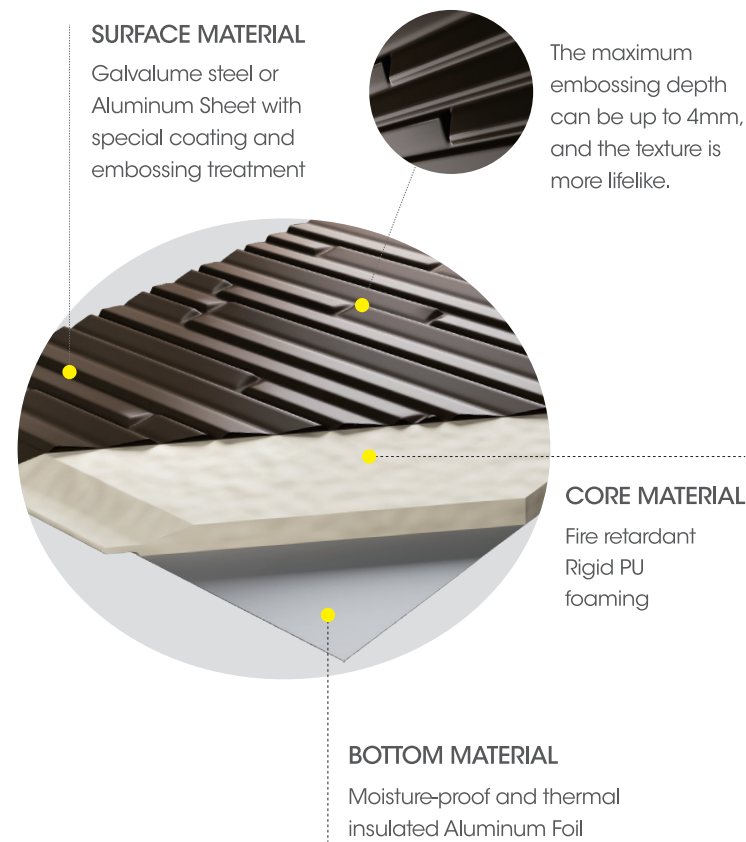
Spanl metal siding is designed for beauty and durability. We are becoming the home exterior siding of choice for top builders. Spanl metal siding meets the demand of our clients and the level of the building that they are producing. 10 years professional color coating experience creates ultimate lifelike texture. We spare no efforts to develop high-end decorative metal siding. 15 years guarantee for the fading of color coating. Self-cleaning technology makes your house cleaner. Say hello to a low maintenance exterior wall.



Spanl

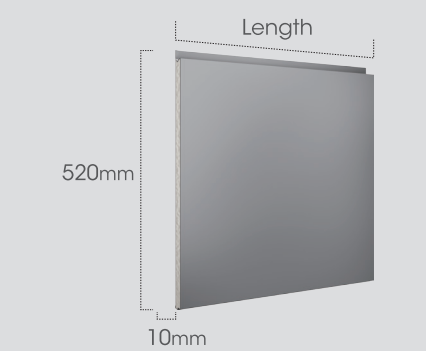
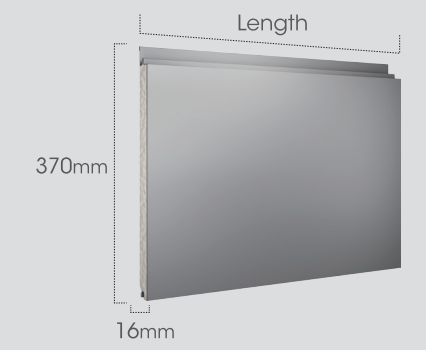
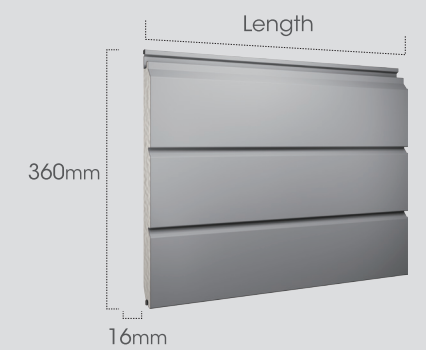
PRODUCT INTRODUCTION

3 key components of SPANL METAL SIDING

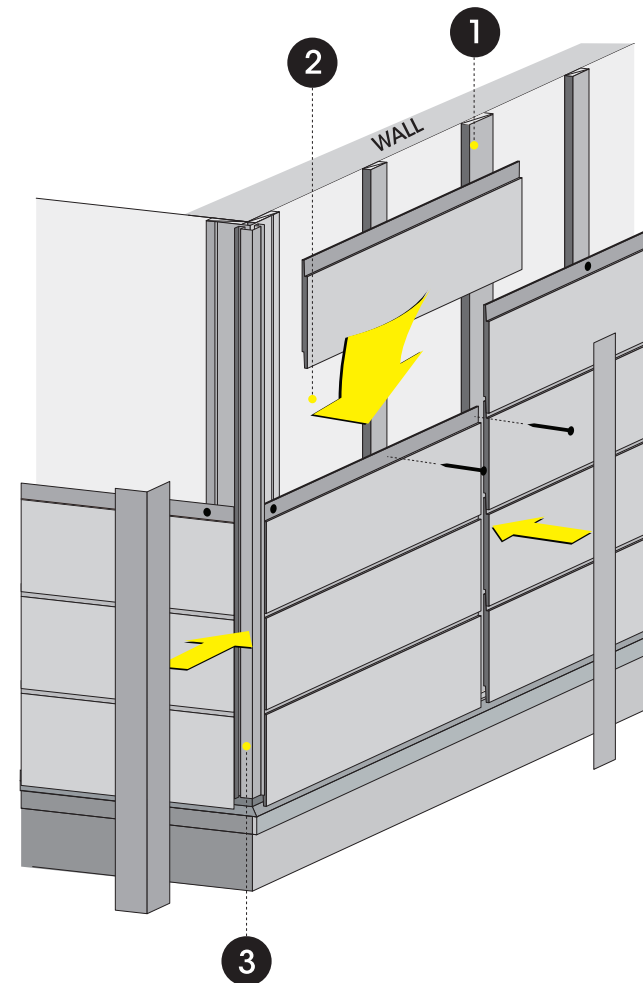


SPANL METAL SIDING takes the advantages of enough metallic touches as well as the ultimate visual experience to make the wall is no longer monotonous. Various color choices with highly visual texture enables SPANL METAL SIDING to be used both in the field of building interior decoration and exterior decoration, meeting the personalized decorative needs of users.

THREE WIDTH OPTIONS



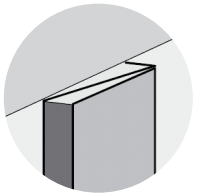
LENGTH: 3800mm/5800mm/Customized



1

Install frame on the wall and then starting parts at the bottom.

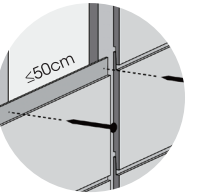
Frame should be steel or antiseptic wood frame



2

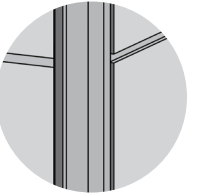
Install the panel with self-tapping screws.

Spacing shall be less than 50cm



3

All the accessories should be filled with weathering adhesive before and after installation.



PRODUCT PERFORMANCE

Item	Test Result	Test Standards
Density (PU)	45 kg/m ³	GB/T6343-2009
Compression Strength (PU)	320.4 kpa	GB/T8813-2008
Thermal Conductivity (PU)	Average Temp.: 10°C	GB/T10295-2008
	Average Temp.: 25°C	
Water Absorption (PU)	0.8%	GB/T8810-2005
Horizontal Burning (Core Material)	HF-1	GB/T8332-2008
Combustion Performance	B	GB/T20284-2006
Heat Transfer Coefficiency	1.50W (m ² ·K)	GB/T13475-2008
Sound Reduction Index	25dB	GB/T19889.3-2005 GB/T50121-2005
Fluorescent Uv Arc Aging (Steel Sheet)	OK	GB/T16422.3-2014

The above data is tested by National Building Material Test Center. For more details please contact Spanl headquarter(china).

2019
NEW

COMING SOON



SPANL METAL SIDING

17 STYLES , 150+ CHOICES

Provide Abundant Options With Ultimate Visual Impact
2019, We spare no efforts to have more new designs for our customers.

Professional metal siding, ONLY Spänl

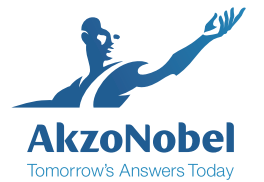
Coating with 18 processes, under 300 °C high temperature baking.

AkzoNobel painting, more color selections and realistic visual effects, better quality assurance.



REVOLUTIONARY COATING

SPANL METAL SIDING adopts the high-performance coating by AkzoNobel can be easily suitable for different climate and provide superior solutions for coating fading, loss of glossiness, UV erosion.

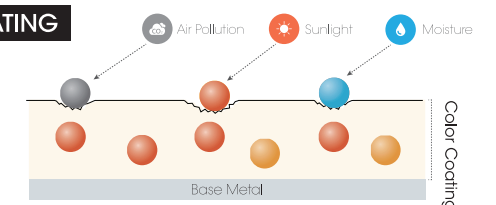


DURABILITY

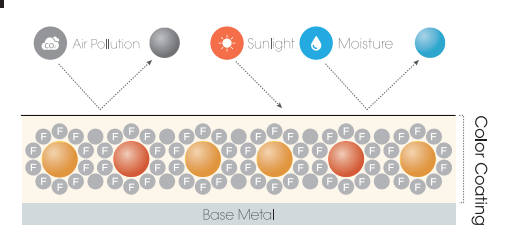
The traditional coating lacks the ability in maintain the glossiness, Spanl' s coating use micron pigments, whose molecular structure is more compact, makes UV deterioration resistance more stronger.



TRADITIONAL COATING

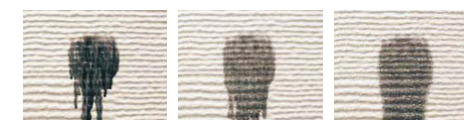


SPANL COATING



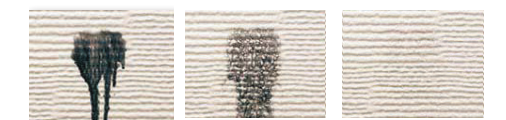
SELF-CLEANING

TRADITIONAL WALL



Stained
Easy to be stained, hard to be flushed
Wall stained and can not be cleaned by rainwater

SPANL SIDING



Stained
Hard to be stained, easy to be flushed
Easily cleaned by rainwater and fresh as new

The anti-ultraviolet and anti-pollution ability, due to the different environment, the actual effect will also vary.



BREATHING WALL

AIR-CIRCULATION METHOD

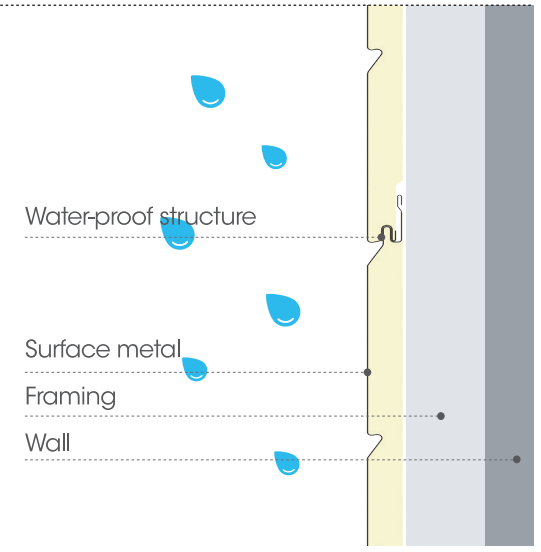
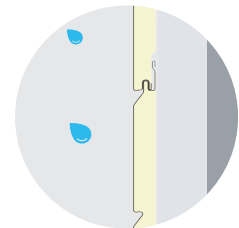
With this method, the rainwater on the backside of the panel can be discharged quickly, preventing moisture condensation and sunlight heat into the room.

- 01**
Anti-condensation
- 02**
Discharge inside rainwater
- 03**
Increase air conditioner efficiency
- 04**
Slowing down house aging



WATERPROOF

As shown in the picture, SPANL METAL SIDING can provide perfect waterproofness. According to the recommendation of installation, the water tightness can reach more than 550pa.



CONSTRUCTION

Comparing with fiber cement with the same thickness, SPANL METAL SIDING is lighter and faster and safer installation.

	Spanl Metal Siding	Fiber Cement
Material	Metal	Cement
Width	370mm	455mm
Thickness	16mm	16mm
Weight	3.5kg/m ²	14kg/m ²

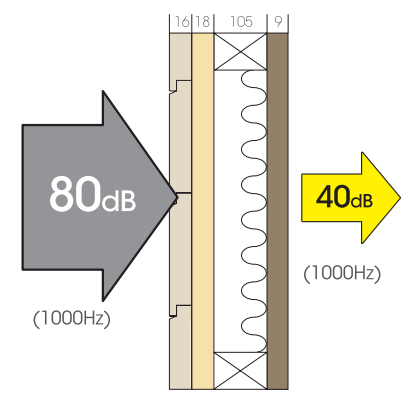
FROST RESISTANCE

In extremely cold region, traditional external wall materials are easily to be crack and damaged due to thermal expansion and cold contraction. SPANL METAL SIDING is made of metal with enough strength and filled with PU foaming, with low water absorption and good resilience. In extreme weather, the combination of the two materials ensures a good appearance of wallboard and extender its lifetime.

SOUND INSULATION

SPANL METAL SIDING has an excellent sound insulation effect. As shown in the picture, in the case of 1000Hz, SPANL METAL SIDING can reduce around 40dB, creating a quiet home for you.

- * FRAME:
- Spanl Siding: 16mm
- Profile Frame: 18mm
- Wall: 105mm
- Gypsumboard: 9mm



THERMAL INSULATION

The PU foaming used in SPANL METAL SIDING has low thermal conductivity, and its unique closed-porosity and high resistance to gas diffusion make its thermal insulation performance last longer enough. In the same thermal insulation requirements, SPANL METAL SIDING can reduce the building envelope thickness to increase the use of indoor area.

Thermal Conductivity

Spanl Metal Siding	0.03 (0.02)
Fiber Cement	0.17

Spänl

EXTERIOR WALL DECORATION

Beautiful and elegant



PROJECTS

Application scene

SPANL METAL SIDING can be used for exterior decoration, remodeling, ceiling, background wall decoration, interior wall decoration, etc.



CEILING DECORATION

Unique style



BACKGROUND DECORATION

Urban and stylish



INTERIOR WALL DECORATION

Classic designer style

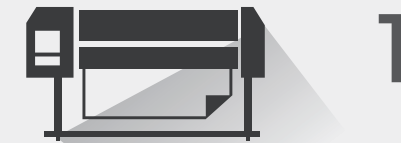


REMODELING

Getting a new look.



6 SERVICES

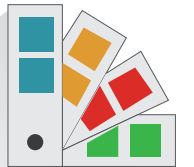


1

PROFESSIONAL COIL COATING

10-year-experience
 South-Korea Printing Equipment
 German Siemens Electronic Control Equipment
 Coating with 18 processes, under 300 °C high temperature baking

2

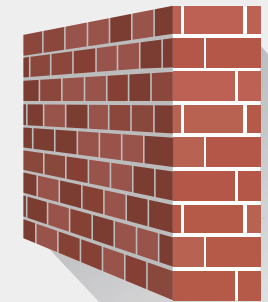


LEADING PRINTECH

Datacolor Chromometer Detection
 MG Deviation Correction System For Accurate Alignment

3 3D PATTERNS

Numerous Three-dimensional Models
 More Visual Impact
 Advanced R&D Team
 Professional R&D Technology



4 PURSUIT OF DETAILS

Professional Formulation Polyurethane
 High Quality Aluminum Foil
 Integrated Molding



5

QUALITY TESTING- REST ASSURED BECAUSE OF SPECIALTY



High And Low Temperature Test
 Salt Spray Test
 Detection Of Oxygen Index
 Peel Test

6



AFTER-SALES GUARANTEE MAKE YOU WORRY-FREE